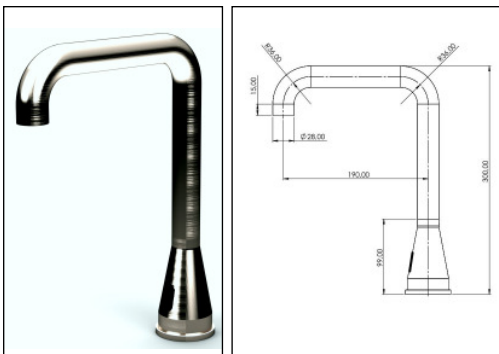




# LOex Sens-Inox Tonga2 T92S

Electronic self-closing pillar tap, swivel spout, single-pipe inlet for cold or pre-mixed water or with UT-mixture according to EU-RL, HACCP, LMHV.

## Installation version DMK



**Tendertext**

Non-contact self-closing DN 15  
Washable-tap, stainless steel satin;  
with rotating and lockable angular spout,  
aerator\*, optosensor.  
For premixed water (UT mixer).  
Electronically controlled - with external  
(Rhein/E7A) or integrated electronics  
(Donau/E8A, Weser/E9A).  
- rotatable and lockable (Fig.) ii  
Outreach 190 mm  
Height of outlet opening from WT 235 mm  
Total height from WT 300 mm

**Operating version/  
EAN-Number article-number**

for 12V low-voltage mains operation -

- External electronics box "LOex Rhein", A  
- integrated transformer - 12VAC  
40 34154 02083 2 TG2SE7AT92ii19A5\_DMK

- integrated electronic "LOex Donau", B  
- external plug-in power supply unit - 12VDC  
40 34154 02309 3 TG2SE8AST92ii19 5\_DMK

-- integrated electronic "LOex Donau", C  
- external Meanwelltransformer - 12VDC  
40 34154 02310 9 TG2SE8ALT92ii19 5\_DMK

for 6VDC low-voltage mains operation -

- integrated electronic "LOex Weser", D  
- external plug-in power supply unit 6VDC  
40 34154 02311 6 TG2SE9AST92ii19 5\_DMK

for Battery-operated - 6VDC

- integrated electronic "LOex Weser", E  
- external batterycontainer(for 4x1,5 AA-batteries)  
40 34154 02312 3 TG2SE9ABT92ii19 5\_DMK

\*Economy jet regulator up to < 6 ltr/min  
a.A. against surcharge.



**Alternatives in powder coating**

Surcharge u.r., no minimum order quantity.

Signalred matt RAL 3001  
Jetblack matt RAL 9005  
Light Grey matt RAL 7035

Shades of colour in adjacent illustrations are not binding.

**Optional -**



**Remote control for sensor controls  
in direct current (DC)**

For adapting electronic parameters and activating  
legionella flushing  
- for LOex Donau and LOex Weser electronics -

40 34154 01393 3 Zb 073



Electronicbox LOex Rhein 12VAC  
94x94x56 mm  
integrated transformer, powercord

A Tapsocket - (ii)  
- rotateable and lockable  
Basisdiameter 59,5 mm  
Tap hole diameter 35 mm  
Quick fixing for panel thicknesses up to appr. 50 mm

Self-closing wash-table tap DN 15, stainless steel (AISI304L) matt brushed; electronically controlled, with single-pipe inlet for premixed water; with rotatable and lockable spouts, jet regulator. Activated by the optosensor integrated into the fitting. The electronic control systems -



plugadaptor for LOex Donau 12VDC  
plugadaptor for LOex Weser 6VDC  
IP68-connector

B Supply lines-  
D Flexhose 3/8"cn ca. 500 mm  
E7 A cable to sensor ca. 500 mm  
cable to solenoid-valve ca. 800 mm  
cable with angled Schuko-plug ca. 1000 mm  
E8/E9 cable to source of energy ca. 800 mm  
cable to solenoid-valve ca. 500 mm

- tap-integrated -  
- LOex Donau[E8A] (12VDC, 9 W),  
- LOex Weser[E9A] (6VDC, 2 W) -  
Default programm, optional remote for activating legionella flushing and for adapting range, running times/intervals.



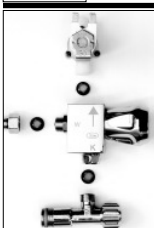
Meanwell-transformer for LOex Donau 12VDC C  
IP67; mains plug cable; IP68-connector  
Velcro or screw fastening

- Sources of energy -  
- plugadaptors(12VDC resp. 6VDC)with IP68-connector  
- MWTrafo 12VDC, IP67 with powercord and IP68-connector  
- Batterycontainer for 4x1,5V AA-Alkalibatteries



Batterycontainer E  
for 4x1,5V AA-Alkalibatteries, IP68-connector  
Velcro or screw fastening

Extern of tap -  
- LOex Rhein [E7A] with integrated transformer 12VAC, 5,6 VA. Box PVC 94x94x56mm in IP 65, with integrated transformer; powercord with plug; Operating default-system, reach-adaptor, 2-f. safety-switch-off; Mechanically switchable automatic legionella-flush.



DMK-Mixer-Modul-Set  
solenoid-valve  
Mixing by  
DMK mixer for direct mounting  
on angle-valve  
with integrated checkvalves WC/WH  
accessfilter f. angle-valve  
Connecting flexhose to WH-angle-valve  
angle-valve(on-site)

Also adaptable for pressure-less usage.

Also for de-mineralised water  
with electronic  
LOex Donau E8/24VDC and  
24VDC-solenoid-valve in stainless-steel.

Solenoid-valves -  
- mono-stabile 12VAC/DC, 2x3/8"m. Faston - for LOex Donau, Rhein  
- bi-stabile 6VDC, 2x3/8"m, Faston - for LOex Weser  
Flowrate ca. 19 Ltrs/min/3bar FD. Min. Flowpressure ca. 0,3bar.  
Mech. Pre-mixer (brass, chrome-plated) with RüVe (WW/KW) for direct mounting (DMK) on angle valve, connecting hose to angle valve. Filter inserts for 3/8" angle valves enclosed.  
Typ: LOex Tonga2

Subject to technical and price changes without prior notice. This offer is subject to change.  
Our terms and conditions of sale and delivery apply exclusively.  
Status January 2022

Previous offers have lost their validity. Pricing: €/p.unit; ex warehouse, packed; net.

Delivery dates on request.

Place of jurisdiction for registered traders and persons under civil law: Frankfurt/M.

Scope of delivery: Fitting as described, ready for installation, complete.

EU-USID: DE111985600



LOTZ Exim Trading

Sensortechnik für Küchen-, Catering-, Labor- und Sanitärbereiche.

Es gibt nur wenig, was sich so bezahlt macht. - Für Sie und unsere Umwelt!